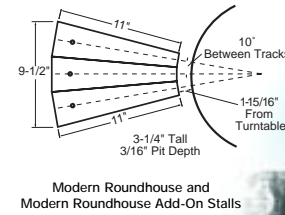


# Create a Classic Engine Facility in N Scale



**MODERN ROUNDHOUSE**  
**NEW | N | KIT**  
**933-3260 \$59.98**

- March Delivery**
- American Prototype
  - Holds Engines up to 145 Scale Feet Long
  - Parts for Three Complete Stalls
  - Expand with #933-3261 (sold separately)
  - Compact 10" Stall Spacing
  - Interior & Exterior Brick Detail
  - Fine Window Details
  - Floor Inspection Pits
  - Decal Signs

**MODERN ROUNDHOUSE ADD-ON STALLS**  
**NEW | N | KIT**  
**933-3261 \$49.98**

- March Delivery**
- Matches #933-3260 (sold separately)
  - Parts for Three Center Stalls
  - Holds Engines up to 145'
  - Compact 10" Stall Spacing
  - Fine Window Details
  - Floor Inspection Pits
  - Decal Signs

**MODERN COALING TOWER**  
**NEW | N | STRUCTURE KIT**  
**933-3262 \$39.98**

- April Delivery**
- Authentic Concrete Design
  - Serves Three Tracks
  - Lots of Separate Details
  - Coal Delivery Shed
  - Decal Signs

**MACHINE SHOP**  
**NEW | N | STRUCTURE KIT**  
**933-3264 \$44.98**

- April Delivery**
- Ideal Accessory for Modern Roundhouse
  - Use as Attached or Freestanding Structure
  - Baseplate Slots Accept Popular Rail Sizes
  - Includes Boiler House with Stack
  - Build Doors Open or Closed

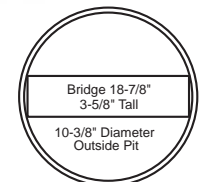
**STEEL WATER TANK**  
**N | BUILT-UP**  
**933-2601 \$29.98**

- In Stock**
- Assembled and Ready to Use
  - Decal Signs

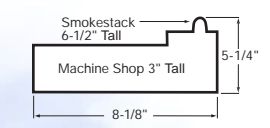
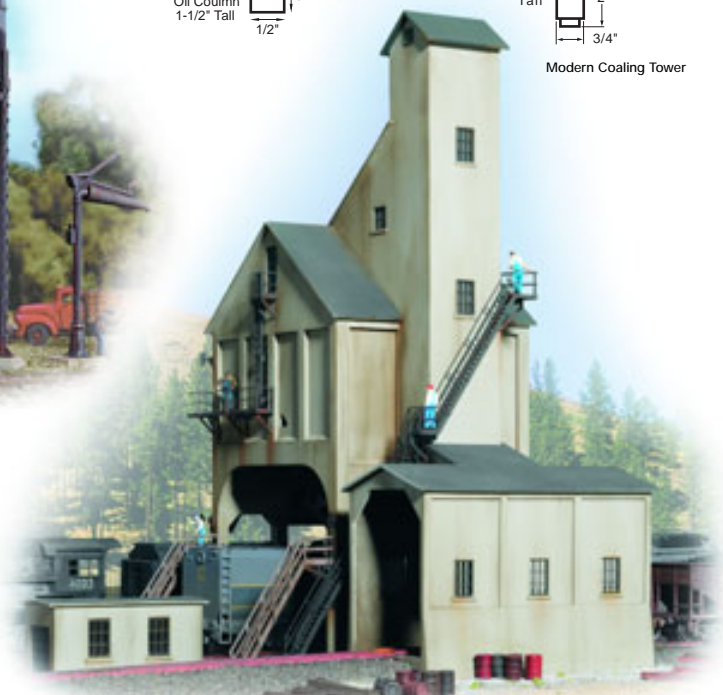
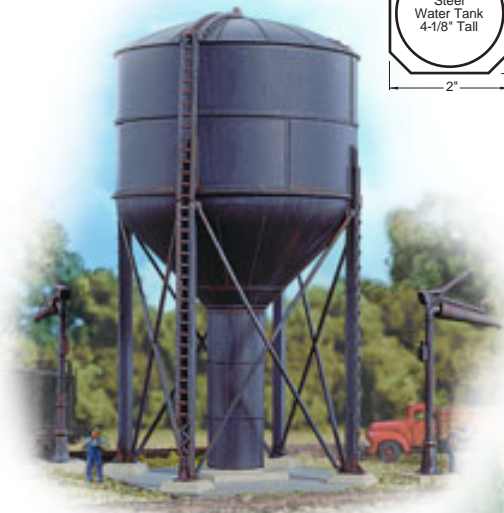
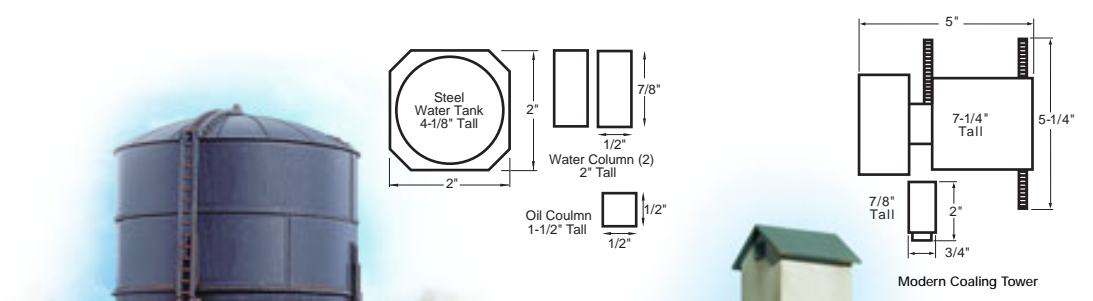


**MODERN 130' TURNTABLE**  
**NEW | N | BUILT-UP**  
**933-2613 \$299.98**

- April Delivery**
- Authentic American Design
  - Programmable Indexing for up to 60 Positions
  - Motorized Gear Drive
  - Holds Engines up to 130 Scale Feet Long
  - One-Piece Weathered Plastic Arch
  - Detailed Bridge with Arch



*For more tips and planning suggestions on building a complete engine terminal scene, check out the on-line article at [walters.com](http://walters.com). Just click the link on the pages for the products listed in this ad!*



Can't find a hobby shop near you? Call 1-800-4TRAINS (1-800-487-2467) or visit [walters.com](http://walters.com)

Delivery dates shown were accurate at press time; for current information, please see [walters.com](http://walters.com). Preproduction models shown, details and colors may vary. ©2006 Wm. K. Walther's, Inc.