



N Structure Kit

MEDUSA CEMENT COMPANY

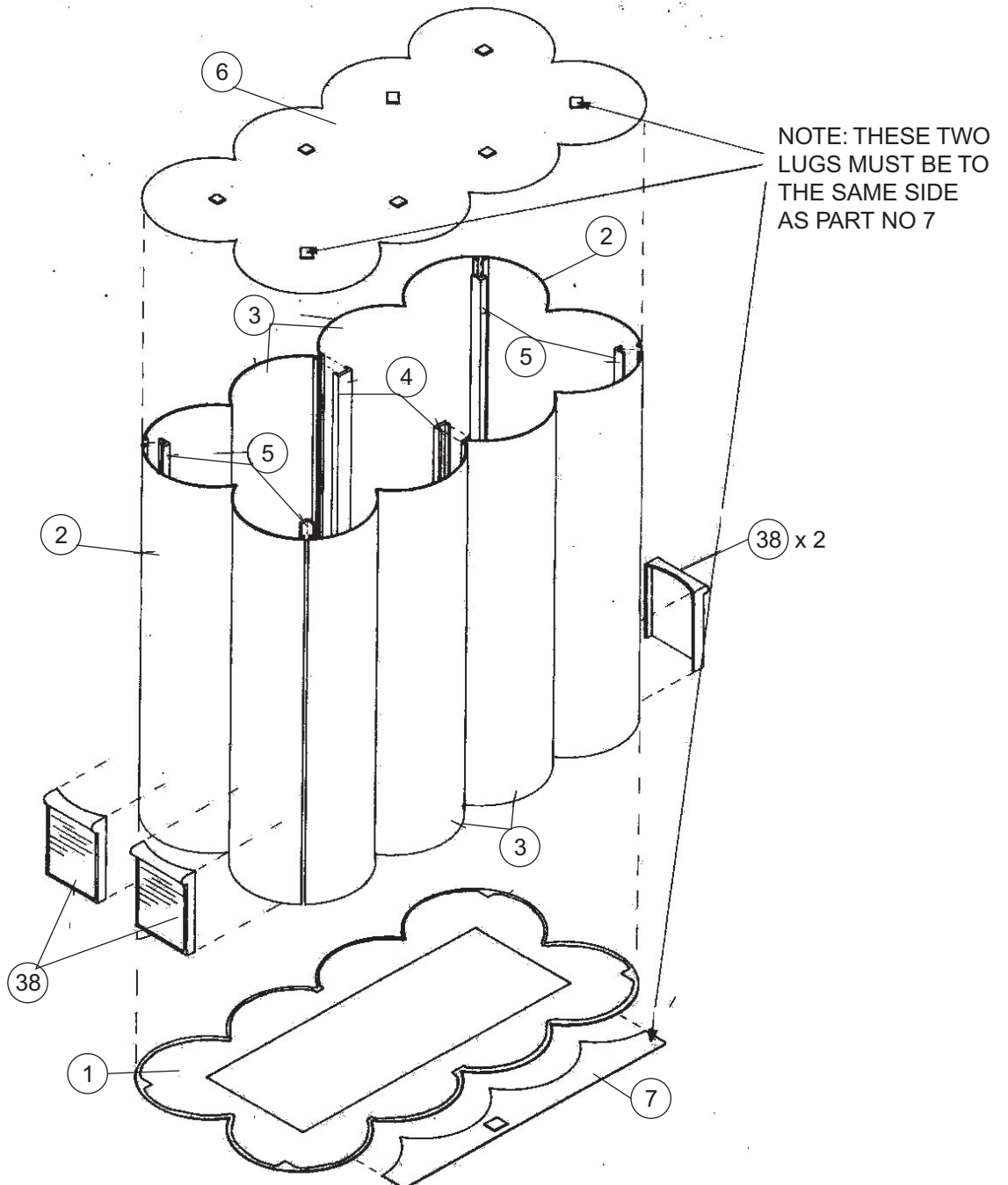
933-3218

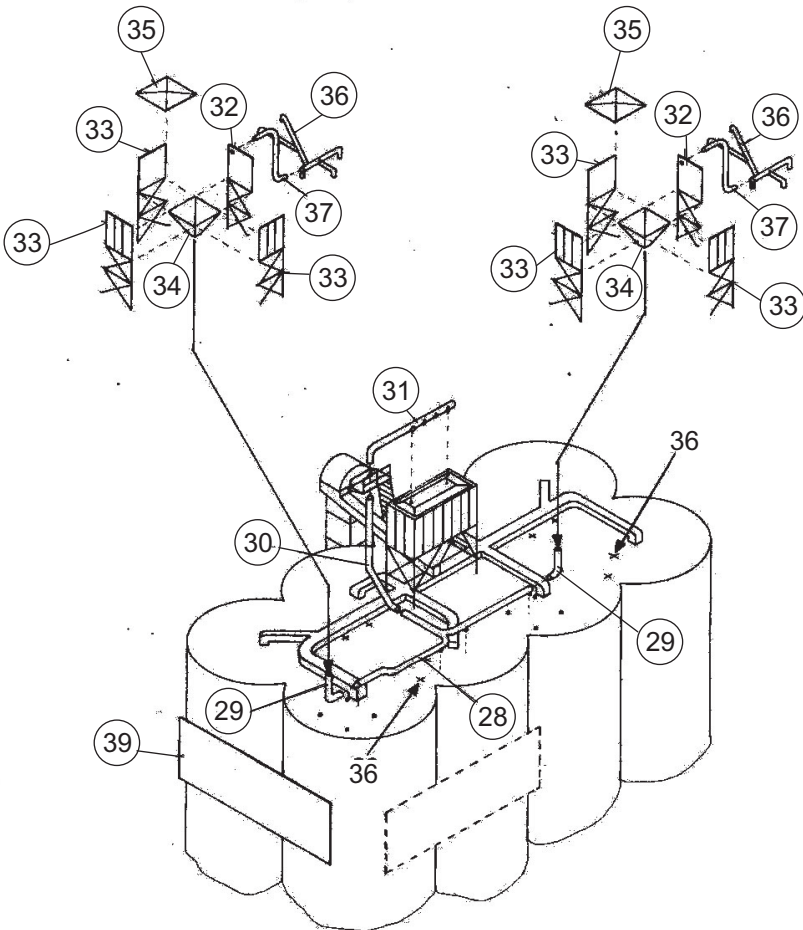
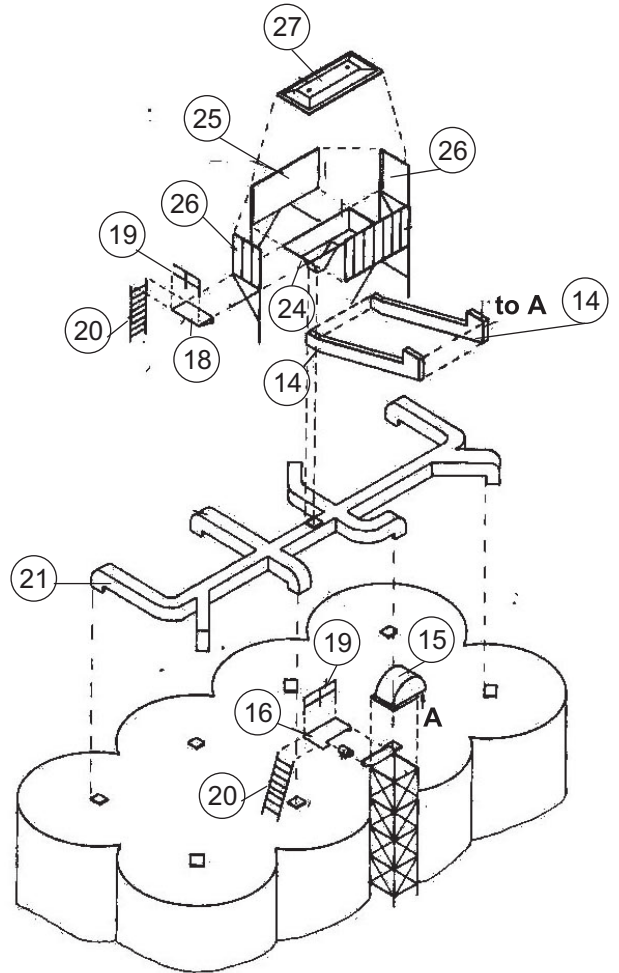
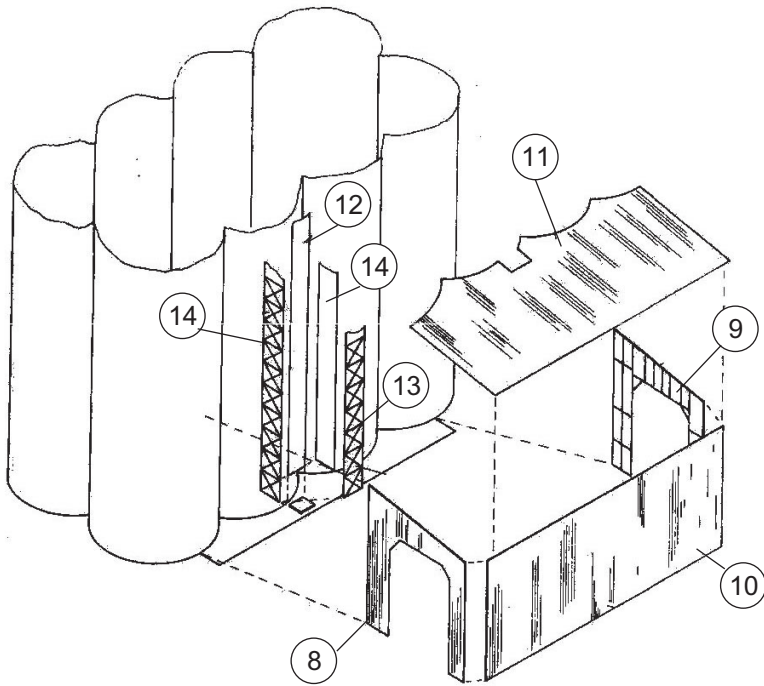
Thanks for purchasing this Cornerstone Series® kit. Please read all instructions before starting. All parts are made of styrene plastic, so use paints and glues which are compatible. This model is adapted from a facility in Milwaukee, WI, but is typical of similar operations around the country.

The Medusa Cement Company will be an important customer for any railroad. Several carloads of cement will be needed every week, which means plenty of through traffic. The plant will also require frequent switching by a yard or wayfreight crew to pick up empties and move loaded cars to the plant.

For more prototype information, see "Railroad Operations at the Independent Cement Corporation" in the June, 1992 issue of Railroad Model Craftsman.

For ideas on detailing your model, as well as additional background building kits, see your dealer, check out the current edition of Walthers N Scale Model Railroad Reference Book, or visit our web site at waltherscornerstone.com.





DECALING

1. After cutting out the decal, dip in water for 10 seconds, remove and let stand for 1 minute. Slide decal onto surface, position and then blot off any excess water.
2. Lightly brush Micro Sol® on top. This will soften the decal allowing it to conform to irregular surfaces. **DO NOT TOUCH DECAL while wet!**
3. When the decal is thoroughly dry, check for any trapped air bubbles. Prick them with the point of a small pin or hobby knife blade and apply more Micro Sol®.