



HO Structure Kit

DQ GRILL & CHILL® RESTAURANT

933-3485

Thanks for purchasing this Cornerstone kit. All parts are styrene so use compatible glue and paint to assemble and finish your model. Please take a few minutes to read these instructions and study the drawings before starting construction.

Drivers taking a break for a tasty treat or a complete meal will find all their favorites at the local DQ Grill & Chill® Restaurant. Bright and modern, the ideal really traces its beginnings back to 1962 when the Brazier® food program was introduced to the Dairy Queen® system. A number of new store designs incorporating the same equipment followed over the years, inspiring an all-new approach in 2001 with the opening of the first DQ Grill & Chill® Restaurant. Today, they're the flagships of Dairy Queen® operations, serving a full selection of hot foods and classic soft serve treats. Many older locations are being remodeled inside and out to more closely match the standard plan as well. Your new model will be right at home along busy HO highways from 2007 on when the current logos and colors were introduced. See your dealer, check out the current Walthers HO Model Railroad Reference Book, or visit us online at walthers.com for figures, vehicles and more to bring your new model to life.

"DQ®, Dairy Queen®, and the ellipse shaped logo, are trademarks owned or licensed by American Dairy Queen Corp. Manufactured under license from American Dairy Queen Corp."

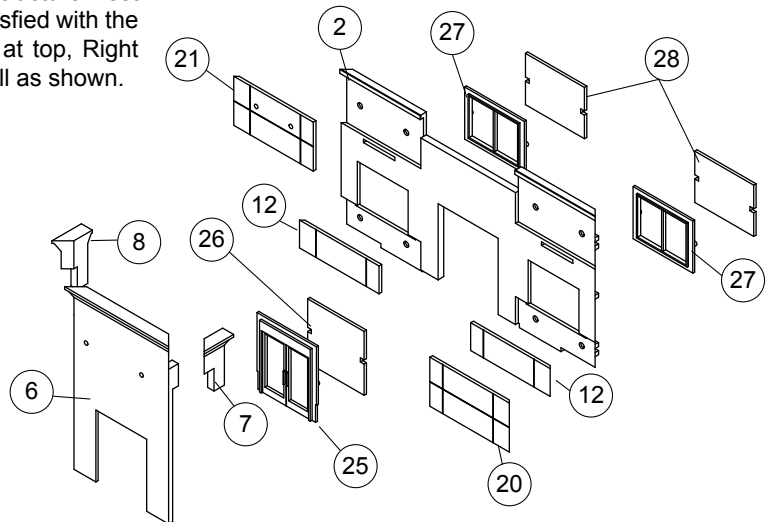
PLEASE NOTE: For ease of alignment, we suggest installing the Upper Panels and Wainscoting after assembling the four walls and base. (See Illustration on back page for wall assembly)

WALLS & WINDOWS

PLEASE NOTE: For ease of alignment, we suggest installing all Upper Panels and Wainscoting after assembling the four walls and base. To avoid damage to the "glass," you may wish to glue all clear parts in place with a water-based adhesive, sold separately. Be sure the raised detail of all Windows and Doors faces outward, and glue to the inside of each Wall as shown.

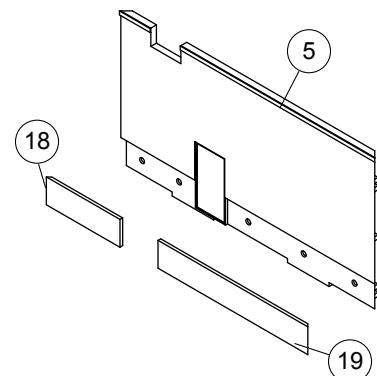
Front Wall

- 1) Glue Windows (2x 27) to Front Wall (2). Glue Window Glass (2x 28) to Windows.
- 2) Glue Front Entry Double Door Glass (26) to Front Entry Double Door (25): glue completed Door to Front Entryway (6).
- 3) Glue Left (8) and Right (7) Front Entryway Sides to Front Entryway. Glue completed Entryway to Front Wall as shown.
- 4) **PLEASE NOTE:** For easier assembly and alignment, we recommend installing the Upper Panels and Wainscoting after assembling the main structure. Test fit the parts, and make any minor adjustments if needed. When satisfied with the fit, glue Left Upper Corner Panel (21) with sign mounting points at top, Right Upper Corner Panel (20), and Wainscoting (2x 12) to the Front Wall as shown.



Rear Wall

- 1) **PLEASE NOTE:** For easier assembly and alignment, we recommend installing the Wainscoting after assembling the main structure. Test fit the parts, and make any minor adjustments if needed. When satisfied with the fit, glue Left Rear Corner Wainscoting (18), Right Rear Corner Wainscoting (19). Rear Wall (5) as shown.



Left Wall

1) Glue Window (27) to Left Wall (4). Glue Window Glass (28) to Window. Glue Drive-Through Window Glass (30) to Drive-Through Window (29). Glue completed Drive-Through Window assembly to Wall.

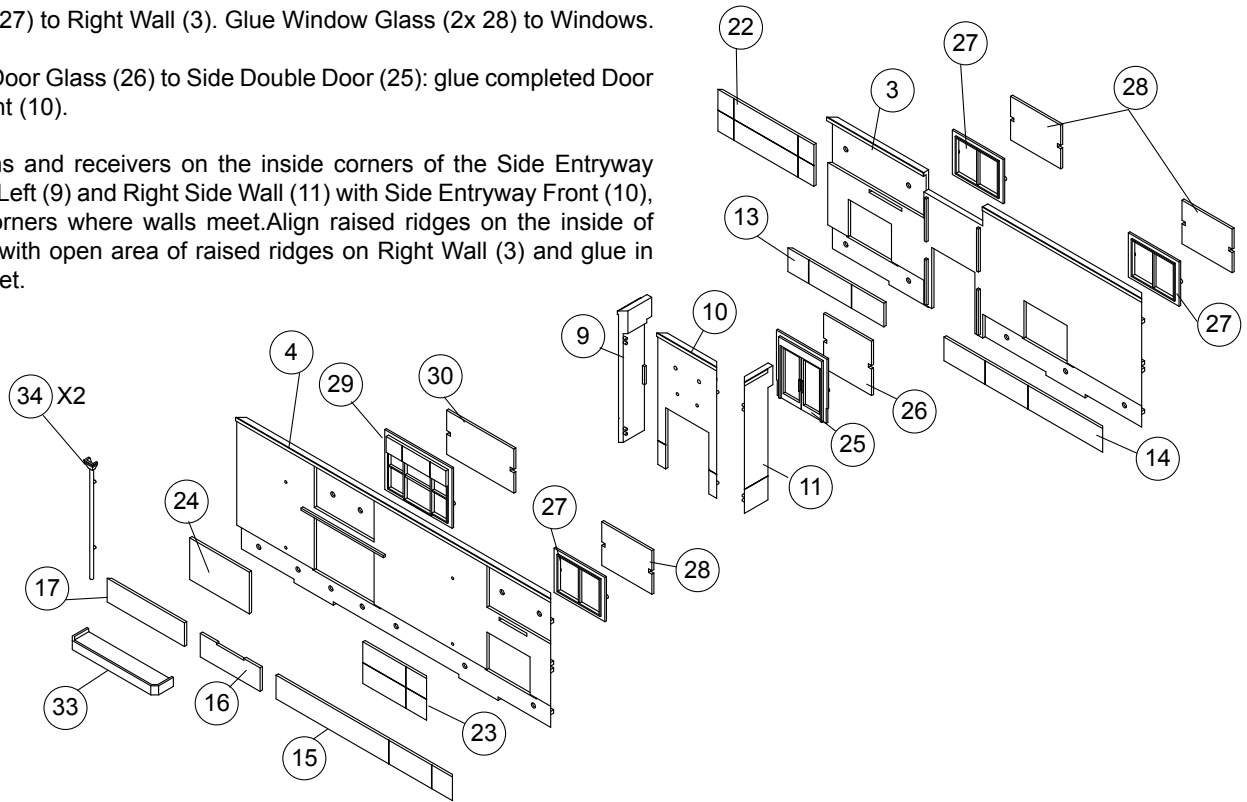
2) PLEASE NOTE: For easier assembly and alignment, we recommend installing the Upper Panels and Wainscoting after assembling the main structure. Test fit the parts, and make any minor adjustments if needed. When satisfied with the fit, glue Corner Upper Panel (22), Drive-Through Upper Panel (24: both edges flat), Left Front Corner Wainscoting (15), Drive-Through Wainscoting (16), Left Back Corner Wainscoting (17) in place as shown.

Right Wall

1) Glue Windows (2x 27) to Right Wall (3). Glue Window Glass (2x 28) to Windows.

2) Glue Side Double Door Glass (26) to Side Double Door (25): glue completed Door to Side Entryway Front (10).

3) Note the small pins and receivers on the inside corners of the Side Entryway Walls. Carefully align Left (9) and Right Side Wall (11) with Side Entryway Front (10), and glue at inside corners where walls meet. Align raised ridges on the inside of Entryway Side Walls with open area of raised ridges on Right Wall (3) and glue in place where walls meet.



4) PLEASE NOTE: For easier assembly and alignment, we recommend installing the Upper Panels and Wainscoting after assembling the main structure. Test fit the parts, and make any minor adjustments if needed. When satisfied with the fit, glue Upper Corner Panel (22), Right Front Corner Wainscoting (13), and Right Back Corner Wainscoting (14) in place as shown.

MAIN STRUCTURE

1) PLEASE NOTE the small pins and receivers on the inside corners of the Walls. Carefully align each Wall (2, 3, 4, 5) and glue to raised ridges on Base (1) and inside corners where walls meet.

2) Install all Upper Panels and Wainscoting as shown under Wall Assembly steps.

FINAL DETAILS

1) Glue Large Front Logo (37) to mounting points in Upper Panel (21). Glue Front Grill & Chill Sign (39) to mounting points in Front Entryway (6).

2) Glue Small Side Logo (38) to upper mounting points and Small Side Grill & Chill Sign (40) to lower mounting points in Side Entryway (10).

3) Glue Downspouts (2x 34) to mounting points in Left Side Wall (4) as shown.

4) Roof 35 may be set in place on raised ridges inside walls to add lighting or interior details (sold separately) if desired, or glued in place.

5) Glue Street Sign (41) to Sign Base (42). Completed sign can be installed at any convenient location in front of your new model.

